

Cuisinart®



Brew Central® Coffeemaker

DCC-1200 Series

For your safety and continued enjoyment of this product, always read the instruction book carefully before using.

IMPORTANT SAFEGUARDS

When using electrical appliances, basic safety precautions should always be followed to reduce the risk of fire, electric shock and/or injury to persons, including the following:

1. **READ ALL INSTRUCTIONS.**
2. **Always unplug appliance from outlet when not in use and before cleaning. Allow to cool before putting on or taking off parts and before cleaning the appliance.**
3. Do not touch hot surfaces. Use handles and knobs.
4. To protect against electric shock, do not place cord, plug, or base unit in water or other liquids.
5. This appliance should not be used by or near children or individuals with certain disabilities.
6. Do not operate any appliance with a damaged cord or plug or after the appliance malfunctions or has been dropped or damaged in any manner. Return appliance to the nearest Cuisinart Authorized Service Center for examination, repair, or electrical or mechanical adjustment.
7. The use of accessory attachments not recommended by Cuisinart may cause injuries.
8. Do not use outdoors.
9. Do not let cord hang over edge of table or counter, or touch hot surface.
10. Do not place on or near a hot gas or electric burner, or in a heated oven.
11. Always fill water reservoir first, then plug cord into the wall outlet. To disconnect, turn controls to "off", then remove plug from wall outlet.
12. Do not use appliance for other than intended use.
13. Snap lid securely onto carafe before serving any beverages.
14. Scalding may occur if the lid is removed during the brewing cycle.
15. The glass carafe is designed for use with this appliance only. It must never be used on the range top.
16. Do not set a hot carafe on a wet or cold surface.
17. Do not use cracked carafe or a carafe having a loose or weakened handle.
18. Do not clean carafe or warming plate with cleansers, steel wool pads, or other abrasive materials.
19. **WARNING: TO REDUCE THE RISK OF FIRE OR ELECTRIC SHOCK, DO NOT REMOVE THE BASE PANEL. NO USER SERVICEABLE PARTS ARE INSIDE. REPAIR SHOULD BE DONE ONLY BY AUTHORIZED PERSONNEL.**
20. Avoid contact with moving parts.
21. Do not operate your appliance in an appliance garage or under a wall cabinet. **When storing in an appliance garage always unplug the unit from the electrical outlet.** Not doing so could create a risk of fire, especially if the appliance touches the walls of the garage or the door touches the unit as it closes.

SAVE THESE INSTRUCTIONS FOR HOUSEHOLD USE ONLY

WARNING: RISK OF FIRE OR ELECTRIC SHOCK



The lightning flash with arrowhead symbol within an equilateral triangle is intended to alert the user to the presence of uninsulated dangerous voltage within the product's enclosure that may be of sufficient magnitude to constitute a risk of fire or electric shock to persons.



The exclamation point within an equilateral triangle is intended to alert the user to the presence of important operating and maintenance (servicing) instructions in the literature accompanying the appliance.

SPECIAL CORD SET INSTRUCTIONS

A short power-supply cord is provided to reduce the risks resulting from becoming entangled in or tripping over a longer cord.

Longer extension cords are available and may be used if care is exercised in their use.

If a long extension cord is used, the marked electrical rating of the extension cord must be at least as great as the electrical rating of the appliance, and the longer cord should be arranged so that it will not drape over the countertop or tabletop where it can be pulled on by children or tripped over.

NOTICE

This appliance has a polarized plug (one blade is wider than the other). To reduce the risk of electric shock, this plug will fit in a polarized outlet only one way. If the plug does not fit fully in the outlet, reverse the plug. If it still does not fit, contact a qualified electrician.

Do not modify the plug in any way.

OPERATING NOTICE

Clogging and backing up of water and/or coffee in the filter basket can occur under any or a combination of any of the following conditions: The use of too finely ground coffee, using two or more paper filters, using the gold tone filter in conjunction with a paper filter or not properly cleaning coffee grounds from the gold tone filter, or allowing coffee grounds to spill over the filter.

Caution: Never open the top cover during the brewing cycle, even if no water is draining from the filter basket, since extremely hot water/coffee can spill out from the filter basket and cause injury. If water/coffee is not draining from the filter basket during the brewing cycle, unplug the unit and wait 10 minutes before opening the top cover and checking the filter basket.

IMPORTANT UNPACKING INSTRUCTIONS

1. Place the box on a large, sturdy, flat surface.
2. Remove the instruction book and any other literature.
3. Turn the box so that the back side of the coffeemaker is down and slide the coffeemaker from the box.
4. After the coffeemaker has been removed, place the box out of the way and lift off the two pulp inserts.
5. Remove the cardboard insert between the carafe lid and Brew Pause™ mechanism by sliding it out of the unit.
6. Grasp the carafe by its handle, remove it from the heater plate and remove the polybag.
7. Lift the coffeemaker off the remaining two inserts and remove the polybag covering the coffeemaker.

We suggest you save all packing materials in the event that future shipping of the machine is needed. Keep all plastic bags away from children.



CONTENTS

Important Safeguards.	1
Unpacking Instructions	2
Introduction	3
The Quest for the Perfect Cup of Coffee.	3
Features and Benefits	4
Control Panel	5
Programming Your Coffeemaker	6
Making Coffee	7
Cleaning and Maintenance.	8
Warranty	9

INTRODUCTION

Cuisinart introduces a coffeemaker with retro styling and the latest high tech features, making it the centerpiece of any kitchen. The Cuisinart® Brew Central® Coffeemaker is reminiscent of the days of classic styling and durable materials. A brushed metal exterior with retro-style controls houses the finest coffeemaking technology. This coffeemaker even includes a charcoal water filter. The water filter ensures great tasting coffee by removing all of the impurities from the water. The Brew Central® Coffeemaker also comes with advanced features such as a programmable digital clock with 24-hour advanced-brew setting, an automatic shutoff, a self-cleaning function, and an audible beep that signals the end of the brew cycle, which makes brewing the best tasting coffee easy.

THE QUEST FOR THE PERFECT CUP OF COFFEE

It is generally agreed that there are four basic elements critical to the perfect cup:

Element 1: Water

Coffee is 98% water. Often overlooked, the quality of the water is as important as the quality of the coffee. A good rule of thumb is that if your water doesn't taste good from the tap, it won't taste any better in your coffee. That's why Cuisinart has added a water filter to the Brew Central® Coffeemaker. The charcoal water filter removes chlorine, calcium, bad tastes and odors, for the purest cup of coffee every time.

Element 2: Coffee

While the bulk of the liquid is water, all of the flavor should be from the coffee. To achieve the same great quality cup of coffee you receive at a coffee bar, you need to use the same quality beans. If you choose to grind your own beans, buy the beans fresh and whole, only about a two week supply at a time for maximum freshness. Once the coffee bean is broken, its flavor degrades very quickly. If it is not practical to buy small supplies, we recommend you separate larger amounts of beans into one to two week portions immediately after purchasing, and freeze them in airtight containers. The best way to maximize freshness is to minimize exposure to air, light and moisture. So, once removed from the freezer, beans should be maintained in a sealed container at room temperature, since damaging condensation occurs every time the beans are removed from the freezer or refrigerator. Note that some coffee experts advise against freezing dark-roast beans because this can cause the oils to coagulate, while other experts disagree. We suggest you experiment and decide for yourself.

Element 3: Grind

The grind is critical for proper flavor extraction. If the grind is too fine, over extraction and bitterness will result. Too fine a grind may also clog your filter. If grind is too coarse, the water will pass through too quickly and the desired flavors will not be extracted. We recommend a medium-fine grind.

Element 4: Proportion

The cups on the Cuisinart® coffeemaker are 5 ounces. Add the amount of ground coffee that corresponds to the number of cups being brewed. We recommend using 1 tablespoon of ground coffee per cup, but use more or less to suit your taste.

NOTE: The maximum capacity for ground coffee is 15 tablespoons for this 12-cup (60 oz.) coffeemaker. Exceeding this amount may cause overflow if the coffee is too finely ground.

FEATURES AND BENEFITS

1. Reservoir Cover

Flips back for easy filling.

2. Water Reservoir

3. Showerhead (not shown)

Distributes water evenly over coffee, reducing temperature loss as water passes through grounds.

4. Water Filter (not shown)

Charcoal water filter eliminates chlorine, calcium and bad tastes and odors from tap water.

5. Filter Basket (not shown)

Holds a #4 paper filter or a permanent filter.

6. Filter Basket Holder (not shown)

7. LCD Digital Clock

Displays time of day and set time for automatic functions.

8. Hour and Minute Buttons

Used to set time of day and automatic functions.

9. Function Knob and Flip Switch

Used to initiate programming of automatic functions.

a. Heater Plate Control Knob

For controlling the temperature of the coffee after brewing. There are three temperature settings.

b. 1-4 Cup Setting

For brewing smaller pots of coffee. It provides double heating of the water, so coffee is piping hot.

c. Self-Clean Setting

Tells you when it's time to clean your coffeemaker. Remove built-up calcification from the water reservoir, to help extend the life of your coffeemaker.

10. Brew Pause™

Stops flow of coffee from basket when carafe is removed (30 seconds maximum) from the heater plate, so a cup can be poured in mid-brew. Since the extraction rate varies during the brew cycle, we recommend allowing the brewing cycle to finish before pouring the coffee.

11. Ready Tone (not shown)

Signals the end of the brew cycle with five beeps.

12. Carafe

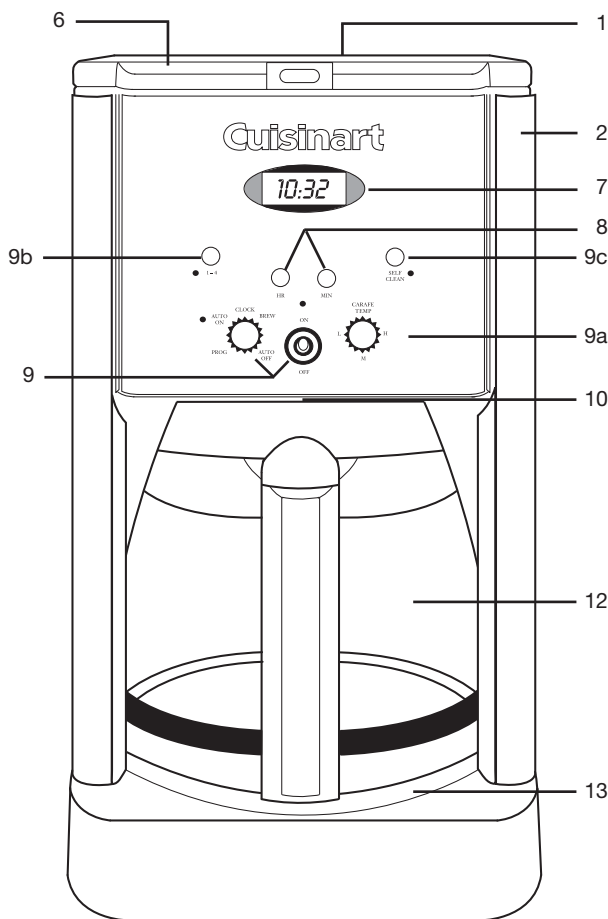
The easy pour, no drip carafe has an ergonomic handle and brewed coffee markings for two to twelve cups.

13. Heating Plate

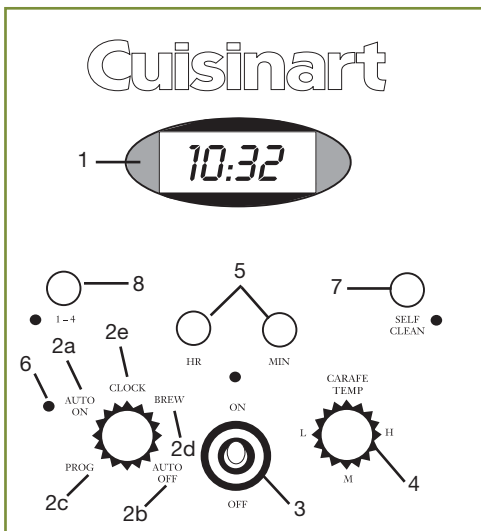
Scratch-resistant with black, nonstick coating.

14. BPA Free

All materials that come in contact with coffee or water are BPA free.



CONTROL PANEL



1. Clock Display

Displays time of day and auto on and off times.

2. Function Knob

For setting time of day, and auto on and auto off times.

a. Auto On

The Auto On feature is used to program the start time of the brew cycle. The auto on time can be set for any time, day or night. "PM" is displayed on the LCD for nighttime program times.

b. Auto Off

The Auto Off feature is used to shut off the coffeemaker at a preset time, anywhere from 0 to 4 hours.

c. Program Set

The Program Set function is used to set the time for the Auto On function.

d. Brew

The Brew function is used to start the brew cycle directly.

e. Clock Set

Used to program the time of day.

f. Audible Tone (not shown)

The Brew Central® Coffeemaker is equipped with an audible tone which will sound 5 times when the coffee has completed brewing (coffee will continue to stream from the filter for a few seconds after tone).

3. Flip Switch

Retro-style flip switch is used to turn your coffeemaker on and off and works in tandem with the function knob.

4. Heater Plate Control Knob

For controlling the temperature of the coffee after brewing. It has high, medium and low settings.

5. Hour and Minute Buttons

For use in setting hour and minute for time of day, auto on time, and auto off time.

6. On and Auto On Indicator Lights

7. Self Clean Setting

Used for removing calcium buildup.

8. 1-4 Cup Setting

For brewing smaller pots of coffee – it provides double heating of the water, so coffee is piping hot.

PROGRAMMING YOUR COFFEEMAKER

TO BREW COFFEE

1. Turn the Function Knob to the Brew position.
2. Lift the Flip Switch up to the On position and release. The red On indicator light will illuminate and brew cycle will begin.

TO TURN THE COFFEEMAKER OFF

Simply press the Flip Switch down to the Off position and release.

Note: To program the coffeemaker to shut off automatically, see **To program the Variable Auto Off** instructions below.

PROGRAMMING YOUR COFFEEMAKER FOR DELAYED BREW TIME

To set the time

1. Turn the Function Knob to Clock.
 - a. **Hours:** Press and hold the Hour button to scroll through numbers quickly. When number displayed approaches the desired setting, press and release (pulse) the button to advance one digit at a time. After setting the correct hour, the default will be the last time set unless power is shut off.

Note: When the number count passes 12, the PM light will be displayed on the LCD.

- b. **Minutes:** Press and hold the Minute button to scroll through numbers quickly. When number displayed approaches the desired setting, press and release (pulse) the button to advance one digit at a time. After setting the correct minute, the default will be the last time set unless power is shut off. To finish setting time, turn the Function Knob to any other setting or simply wait until the numerals stop blinking.

To program the Auto On

1. Set the desired Brew-Start time.
 - a. Turn the Function Knob to Prog.
 - b. Set the time you want coffee to begin brewing by using the minute and

hour push-buttons. Follow the same instructions you used to set the time of day, in the **To set the time** section above.

2. Turn the Function Knob to the Auto On position. LCD will display the current time.
3. Lift and release the Flip Switch. The green indicator light will come on to remind you that the programming function is in use. At the programmed time, the red light will come on as well, indicating that the brew cycle is starting. Both lights will go off when keep warm cycle ends.

Note: To reactivate the auto-on feature to start brew cycle at the same time another day, simply lift and release the Flip Switch. The green auto-on light will illuminate.

To program the Variable Auto Off

1. Turn the Function Knob to the Auto Off position. Press and hold the Hour button for 2 seconds. The clock display will start blinking.
2. Program the coffeemaker to shut off from zero to four hours after brew cycle is finished by using the Hour and Minute push-buttons. (See **To set the time**)

Decalcification

Decalcification refers to the removal of calcium deposits which form over time on the metal parts of the coffeemaker.

For best performance from your Brew Central® Coffeemaker, decalcify the base unit from time to time. The frequency depends upon the hardness of your tap water and how often you use the coffeemaker. The flashing self clean light will indicate when you should clean your coffeemaker.

Self Cleaning

If the self clean light begins to flash when the coffeemaker is turned on, it is telling you that the calcium buildup is interfering with the functioning of your coffeemaker and the flavor of your coffee. To clean, fill the water reservoir to capacity with a mixture of 1/3 white vinegar and 2/3 water. Press the Self Clean button. When the self clean light glows, turn the coffeemaker on by pressing the flip switch to On. The self clean light will shine steadily. The coffeemaker is now in self clean mode. One cycle should be sufficient

to adequately clean the coffeemaker. When the cycle is completed and the five beeps sound, the coffeemaker will shut off. Turn the coffeemaker on to see if the self clean light continues to flash. If it does, turn it off and then repeat the cleaning procedure with a fresh solution of vinegar and water.

If the self clean light no longer flashes, turn the coffeemaker off and then run one cycle of fresh cold water through the unit before using the unit again to brew coffee.

Notes on the Self Clean Function

Pressing the Self Clean button cancels all other settings. If it is pressed accidentally, press it again to return the coffeemaker to all its previous settings. Pressing On/Off will also exit the self clean mode and turn the coffeemaker off.

1-4 Cup Setting

The 1-4 cup setting button is used when you make small amounts of coffee. Normal coffeemakers will produce a colder batch of coffee when smaller amounts are made, because the heater doesn't have enough time to properly warm up to heat a small amount.

The 1-4 setting basically double heats the water, making your smaller amount as piping hot as a full pot would be.

To use: When making a smaller amount, press the 1-4 button on the control panel after turning on the unit.

Heater Plate 'Keep Warm' Control

The knob on the right of the control panel is the heater plate control setting for after brewing temperature. You can choose one of three heat settings to keep your coffee warm: low, medium, or high.

MAKING COFFEE

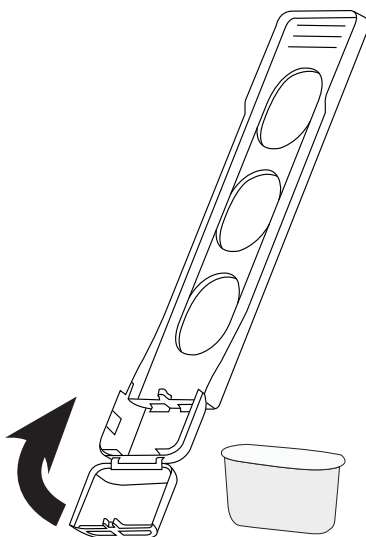
Before you make the first pot of coffee in your new Cuisinart® Brew Central® Coffeemaker, we recommend operating the coffeemaker once using only water and a paper filter. This will remove any dust or residues that remain in the system from the manufacturing process.

1. Insert the Water Filter

- Remove the filter from polybag and soak in cold tap water for 15 minutes.
- Remove the water filter holder from the coffeemaker by lifting it out of the reservoir area with your thumb and forefinger.
- Grasp stem in one hand. Using thumb of other hand, gently press down and pull toward you. Compartment will flip open.
- Place the filter in the holder and close the water filter holder; you will hear a snap indicating it is in place.

NOTE: Caution must be used when inserting the charcoal filter. Improper placement in the holder can cause tearing of the filter skin.

- Hold the filter under cold running tap water for 10 seconds to flush. You should place the hole openings in the side of the unit directly under the water stream.
- Allow the filter to drain completely.
- Replace the water filter holder in the reservoir area of the coffeemaker, pushing it all the way down to the base of the unit, along the reservoir wall.



NOTE: We recommend changing the water filter every 60 days or 60 uses, more often if you have hard water.

Replacement water filters can be purchased in stores or by calling customer service or through the Cuisinart web site.

2. Fill the water reservoir

When filling the coffeemaker with water, refer to the carafe height markings and fill to the desired number of cups. Be sure to add a small amount of extra water to account for the amount of water lost in wetting the grounds and lost as steam during the brewing process.

3. Add the ground coffee

Remove the filter basket by grasping the handle and lifting straight up, and then place it on the countertop. Insert a #4 paper filter or permanent filter. Be sure that the paper filter is completely open and fully inserted in the basket. It may help to fold and flatten the seams of a paper filter beforehand. Add the desired amount of ground coffee, corresponding to the number of cups being brewed. We recommend using 1 tablespoon of ground coffee per cup, but use more or less to suit your taste.

NOTE: The maximum capacity for ground coffee is 15 tablespoons for this 12-cup coffeemaker. Exceeding this amount may cause overflow if the coffee is too finely ground.

Replace the filter basket in the filter basket holder and flip the water reservoir lid closed. Press firmly on top where it says "Press to Close." Be sure that it closes securely in place.

Before brewing coffee

Make sure you have replaced the glass carafe in its position on the heating plate and closed the top cover. Plug the cord into an electrical outlet.

4. Power unit:

Turn the function knob to brew, lift flip switch up to On position, and the red indicator light will turn on. Or, set the Auto On function and the green indicator will light.

5. During and after brewing

The Brew Pause™ feature allows you to remove the carafe from the plate during mid-brew. The brewing process does

not stop during this period – only the flow of coffee from the basket stops. Do not remove the carafe for longer than 30 seconds or the coffee may overflow the basket. While we offer this feature, we do not recommend that you pour the coffee before the cycle has reached completion, since the coffee brewed at the beginning of the cycle has a flavor profile which is very different from the flavor at the end of the cycle. Removing a cup during the brewing cycle will alter the flavor of the finished pot.

Once the coffee has finished brewing, stir it before serving to blend the flavors. The coffee at the bottom of the carafe will be somewhat stronger than the coffee at the top.

CLEANING AND MAINTENANCE

Always turn coffeemaker off and remove the plug from the electrical outlet before cleaning.

Lift up the reservoir cover. Remove and discard the paper filter and ground coffee.

The filter basket can be washed in warm, soapy water and rinsed thoroughly, or cleaned in the upper rack of the dishwasher. Dry all parts after use.

Do not put any water in the unit once the filter basket has been removed. Wipe the area under the filter basket with a damp cloth.

Remove the carafe from the heating plate. Discard any remaining coffee. The carafe and lid can be washed in warm, soapy water and rinsed thoroughly, or placed in a dishwasher. The carafe and carafe lid should be placed on the upper rack only.

Do not use any scouring agents or harsh cleansers on any part of the coffeemaker.

Never immerse base unit in water or other liquid. To clean base, simply wipe with a clean, damp cloth and dry before storing.

Fingerprints and other blemishes on the housing can be washed off with soap and water or a nonabrasive cleaning solution. Wipe warming plate with a clean, damp

cloth. Never use rough, abrasive materials or cleansers to clean the warming plate. Do not dry the inside of the water reservoir with a cloth, as lint may remain.

Maintenance: Any other servicing should be performed by an authorized service representative.

WARRANTY

LIMITED THREE-YEAR WARRANTY

This warranty is available to consumers only. You are a consumer if you own a Cuisinart® Brew Central® Coffeemaker that was purchased at retail for personal, family or household use. Except as otherwise required under applicable law, this warranty is not available to retailers or other commercial purchasers or owners.

We warrant that your Cuisinart® Brew Central® Coffeemaker will be free of defects in materials and workmanship under normal home use for 3 years from the date of original purchase.

We recommend that you visit our website, www.cuisinart.com for a fast, efficient way to complete your product registration. However, product registration does not eliminate the need for the consumer to maintain the original proof of purchase in order to obtain the warranty benefits. In the event that you do not have proof of purchase date, the purchase date for purposes of this warranty will be the date of manufacture.

If your Cuisinart® Brew Central® Coffeemaker should prove to be defective within the warranty period, we will repair it, or if we think necessary, replace it. To obtain warranty service, simply call our toll-free number 1-800-726-0190 for additional information from our Customer Service Representatives, or send the defective product to Customer Service at Cuisinart, 7811 North Glen Harbor Blvd., Glendale, AZ 85307.

To facilitate the speed and accuracy of your return, please enclose \$10.00 for shipping and handling of the product.

Please pay by check or money order (California residents need only supply proof

of purchase and should call 1-800-726-0190 for shipping instructions).

NOTE: For added protection and secure handling of any Cuisinart® product that is being returned, we recommend you use a traceable, insured delivery service. Cuisinart cannot be held responsible for in-transit damage or for packages that are not delivered to us. Lost and/or damaged products are not covered under warranty. Please be sure to include your return address, daytime phone number, description of the product defect, product model number (located on bottom of product), original date of purchase, and any other information pertinent to the product's return.

CALIFORNIA RESIDENTS ONLY:

California law provides that for In-Warranty Service, California residents have the option of returning a nonconforming product (A) to the store where it was purchased or (B) to another retail store which sells Cuisinart products of the same type.

The retail store shall then, at its discretion, either repair the product, refer the consumer to an independent repair facility, replace the product, or refund the purchase price less the amount directly attributable to the consumer's prior usage of the product. If the above two options do not result in the appropriate relief to the consumer, the consumer may then take the product to an independent repair facility if service or repair can be economically accomplished. Cuisinart and not the consumer will be responsible for the reasonable cost of such service, repair, replacement, or refund for nonconforming products under warranty.

Your Cuisinart® Brew Central® Coffeemaker has been manufactured to the strictest specifications and has been designed for use only in 120-volt outlets and only with authorized accessories and replacement parts. This warranty expressly excludes any defects or damages caused by attempted use of this unit with a converter, as well as by use with accessories, replacement parts or repair service other than those authorized by Cuisinart. This warranty does not cover any damage caused by accident, misuse, shipment or other than ordinary household use. This warranty excludes all incidental

or consequential damages. Some states do not allow the exclusion or limitation of these damages, so these exclusions may not apply to you. You may also have other rights, which vary from state to state.

Important: If the nonconforming product is to be serviced by someone other than Cuisinart's Authorized Service Center, please remind the servicer to call our Consumer Service Center at 1-800-726-0190 to ensure that the problem is properly diagnosed, the product is serviced with the correct parts, and the product is still under warranty.

Todas marcas registradas o marcas de comercio
mencionadas en esta pertenecen a sus titulares
respectivos.

N IB-7522A-ESP-B

12CE133869

©2012 Cuisinat
150 Millford Road
East Windsor, NJ 08520
Impreso en la China

3 años después de la fecha de compra original, siempre en cuando el aparato haya sido utilizado para uso doméstico y según las instrucciones.

Le aconsejamos que llene el formulario de registro disponible en www.cuisinart.com a fin de facilitar la verificación de la fecha de compra original. Sin embargo, registrar el producto no es necesario para recibir servicio bajo esta garantía. En ausencia del servicio bajo esta garantía, el período de garantía será de 36 meses a partir de la fecha de fabricación.

Si este aparato presentara algún defecto de materiales o fabricación durante el período de garantía, la repararemos o reemplazaremos (a nuestra opción). Para obtener servicio bajo esta garantía, llame a nuestra línea directa gratuita al 1-800-726-0190 o regrese el aparato defectuoso a: Cuisinart, Service Department, 7475 North Glen Harbor Blvd. Regrese el aparato defectuoso, junto con su recibo de compra y un cheque o giro postal de US\$10.00 por gastos de manejo y envío. Los residentes de California sólo necesitan dar una prueba de compra y deben llamar al 1-800-726-0190 para recibir instrucciones de envío.

NOTA: Para mayor seguridad, le aconsejamos que mande su paquete por un método de entrega con seguro y seguimiento. Cuisinart no será responsable por los daños ocurridos durante el transporte o por los paquetes mandados a una dirección equivocada. Los productos perdidos y/o lastimados durante el envío no serán cubiertos bajo esta garantía. Recuerde incluir su nombre, dirección y teléfono, la descripción del problema, así como cualquier información pertinente.

RESIDENTES DE CALIFORNIA SOLAMENTE

La ley del estado de California ofrece dos opciones bajo el período de garantía. Los residentes del estado de California pueden (A) regresar el producto defectuoso a la tienda donde lo compraron o (B) a otra tienda que venda productos Cuisinart® de este tipo. La tienda, a su opción, reparará el producto, referirá el consumidor a un centro de servicio independiente, cambiará el producto o reemplazará el consumidor por el precio original del producto, menos la cantidad imputable al uso del producto por el consumidor hasta que éste se dañe. Si estas dos opciones no satisfacen al consumidor, podrá llevar el producto a un centro de servicio independiente, siempre en cuando se pueda ajustar o reparar el producto de manera económica. Cuisinart será responsable por los gastos de servicio, reparación, reemplazo o reembolso de los productos defectuosos durante el período de garantía.

Este aparato satisface las más altas exigencias de fabricación y ha sido diseñado para uso sobre corriente de 120V, usando accesorios y partes de repuesto autorizados solamente. Esta garantía excluye expresamente los daños causados por accesorios, partes o reparaciones no autorizados por Cuisinart, así como los daños causados por el uso de un convertidor de voltaje. Esta garantía no cubre el uso institucional o comercial del producto, y no es válida en caso de daños causados por mal uso, negligencia o accidente. Esta garantía excluye expresamente todos los daños incidentales o consecuentes. Algunos Estados no permiten la exclusión o limitación de daños incidentales o consecuentes, de modo que las limitaciones mencionadas pueden no regir para usted. Usted puede tener otros derechos que varían de un Estado a otro.

Importante: Si debe llevar el aparato defectuoso a un centro de servicio no autorizado, por favor informe al personal del centro de servicio que deberían llamar al servicio posventa de Cuisinart al 1-800-726-0190 a fin de diagnosticar el problema correctamente, usar las partes correctas para repararlo y asegurarse de que el producto esté bajo garantía.

3. Agregue café molido

Agregar el portafiltros por el asa y álceelo para retirarlo. Instale un filtro de papel no. 4 o un filtro permanente. Asegúrese de que el filtro esté completamente abierto y debidamente instalado. Puede ayudar a doblar y aplanar las costuras del filtro de papel de antemano. Añada la cantidad de café molido deseado según la cantidad de tazas deseadas. Recomendamos usar 1 cucharada de café molido por taza, pero usted puede usar más o menos café, a gusto.

NOTA: Esta cafetera de 12 tazas tiene una capacidad máxima de 15 cucharadas de café molido. No exceda esta cantidad. Esto podría provocar un derrame, especialmente si el café ha sido molido muy fino.

Regrese el portafiltros en su lugar y cierre la tapa del depósito de agua. Presione firmemente la tapa donde se indica "Press to Close". Asegúrese de que la tapa esté debidamente cerrada.

Antes de preparar café

Asegúrese de que la jarra esté debidamente posicionada sobre la placa y que tenga puesta la tapa. Enchufe el cable en una toma de corriente

4. Encienda el aparato:

Ponga el selector de función sobre BREW y mueva el interruptor hacia arriba (ON). El indicador luminoso rojo se encenderá. O: active el encendido automático; el indicador luminoso verde se encenderá.

5. Auto-pausa al servir

La función Brew Pause™ permite retirar la jarra de la placa antes del final del ciclo de preparación. Esta función detiene el flujo de café temporalmente al retirar la jarra de la placa. No deje la jarra fuera de la placa durante más de 30 segundos. Aunque la cafetera está equipada con esta función, le recomendamos que espere hasta el final del ciclo de preparación para servir café, ya que el sabor del café varía durante el ciclo. Servir una taza antes del final de la preparación alterará el sabor final del café. Revuelva el café para armonizar su sabor antes de servirlo. El café en el fondo de la jarra suele ser más fuerte.

LIMPIEZA Y

MANTENIMIENTO

Siempre apague y desconecte el aparato antes de limpiarlo.

Abra la tapa del depósito de agua. Retire y tire el filtro de papel.

El portafiltros puede lavarse a mano, con detergente y agua tibia, o en la bandeja superior del lavavajillas. Permite que todas las piezas sequen.

No ponga agua en la unidad después de retirar el portafiltros. Limpie el área bajo el portafiltros con un paño húmedo.

Retire la jarra de la placa calentadora. Bote el café remanente. Lave la jarra y la tapa de la jarra a mano, con agua tibia y detergente, o en la bandeja superior del lavavajillas.

No utilice productos o materiales abrasivos para limpiar el aparato.

No sumerja el aparato en agua u otro líquido. Limpie el cuerpo del aparato con un paño húmedo y séquela antes de guardar el aparato.

Las huellas de dedos y otras manchas podrán eliminarse con agua y detergente, o con una solución limpiadora no abrasiva.

Limpie la placa calentadora con un paño húmedo. Nunca use materiales ásperos o limpiadores abrasivos para limpiar la placa. No seque el interior del depósito con un paño, porque pelusas pueden quedarse adentro del mismo.

Mantenimiento: Cualquier otro servicio debe ser realizado por un técnico autorizado.

GARANTÍA

GARANTÍA LIMITADA DE TRES AÑOS

Esta garantía es para los consumidores solamente. Usted es un consumidor si ha comprado su aparato Cuisinart® en una tienda, para uso personal o casero. A excepción de los estados donde la ley lo permite, esta garantía no es para los detallistas u otros comerciantes.

Cuisinart garantiza este aparato contra todo defecto de materiales o fabricación durante

c. Agarre el soporte con una mano. Presione y jale la tapa del compartimiento del filtro hacia su cuerpo con el pulgar de la otra mano. El compartimiento se abrirá.

d. Coloque el filtro adentro del compartimiento y cierre éste.

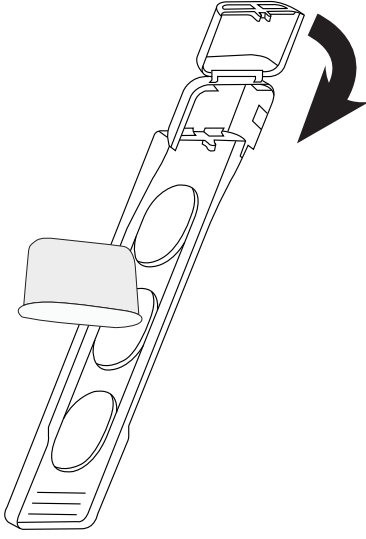
NOTA: Inserte el filtro con cuidado. Si lo instalara de manera incorrecta, la membrana del filtro podría romperse.

e. Sostenga el filtro debajo de agua corriente durante 10 segundos para enjuagarlo. Las aberturas deben encontrarse directamente bajo el flujo de agua.

f. Permita que el filtro escurra completamente. g. Vuelva a colocar el soporte del filtro adentro del depósito de agua, empujándolo a lo largo de la pared del mismo hasta que quede en el fondo.

NOTA: Le aconsejamos que cambie el filtro de agua cada 60 días o 60 usos, o más frecuentemente si el agua es dura.

Los filtros están disponibles en las tiendas especializadas, en www.cuisinart.com, o llamando a nuestro servicio postventa al 1-800-726-0190.



2. Llène el depósito de agua

Llene el depósito de agua hasta el nivel deseado. Le aconsejamos que siempre use un poco más agua para compensar el vapor producido durante la preparación.

Encienda la cafetera. Si el indicador luminoso sigue parpadearando, haga un segundo ciclo de limpieza con una nueva solución de agua con vinagre.

Si está apagado, repita estos pasos con un tanque de agua fresca para eliminar el olor a vinagre.

Nota:

Oprimir el botón de auto limpieza
cancelará la programación de la cafetera. Si lo oprime accidentalmente, oprímalo otra vez o bien apague la cafetera.

Preparación 1-4 tazas

El botón 1-4 permite preparar pequeñas cantidades de café. Cuando se prepara

pequeñas cantidades de café con una cafetera tradicional, el café resulta tibia porque la resistencia de la cafetera no tiene suficientemente tiempo para calentar el agua.

Activar la función 1-4 tazas calienta el agua dos veces, para que le café sea tan caliente como si hubiera preparado una jarra llena.

Para activar esta función, simplemente oprima el botón 1-4.

Control de temperatura de la placa

calentadora

El botón CARAFE TEMP permite controlar la temperatura de la placa calentadora después del ciclo de preparación. Elija el ajuste deseado: L (bajo), M (medio) o H (alto).

OPERACIÓN

Antes de preparar café por primera vez con su cafetera Brew Central® de Cuisinart®, le aconsejamos que haga funcionar la cafetera solamente con agua y un filtro de papel. Esto eliminará el polvo y otros residuos acumulados durante el proceso de fabricación.

1. Instale el filtro de agua

a. Retire el filtro de la bolsa de plástico y remójelo en agua fría durante 15 minutos.

b. Retire el soporte del filtro ubicado en el depósito de agua, agarrándolo entre el pulgar y el índice.

PROGRAMACIÓN

CÓMO ENCENDER LA CAFETERA

1. Ponga el selector de función sobre BREW.

2. Mueva el interruptor hacia arriba (ON). El indicador luminoso rojo se encenderá y el ciclo de preparación empezará.

PARA APAGAR LA CAFETERA

Simplemente mueva el interruptor hacia

abajo (OFF).

Nota: Para programar el apagado

automático, véase a sección "Cómo

programar el apagado automático" a

continuación.

CÓMO PROGRAMAR EL ENCENDIDO

AUTOMÁTICO

Cómo fijar la hora

1. Ponga el selector de función sobre

CLOCK.

a. **Para fijar las horas:** Mantenga

oprimido el botón HR para incrementar

la hora más rápidamente. Cuando llegue

cerca del número deseado, afloje el

botón y avance un número a la vez. Una

vez fijada la hora, la hora por defecto

será la última hora fijada.

Nota: Cuando la hora pase de 12 del día, el

indicador PM aparecerá en la pantalla.

b. **Para fijar los minutos:** Mantenga

oprimido el botón MIN para incrementar

los minutos más rápidamente. Cuando

llegue cerca del número deseado, afloje

el botón y avance un número a la vez.

Una vez fijados los minutos, la hora por

defecto será la última hora fijada. Para

confirmar la hora programada, ponga

el selector de función en otra posición

o simplemente espere hasta que los

números dejen de parpadear.

Para programar el encendido automático

1. Fije la hora de encendido deseada.

a. Ponga el selector de función sobre PROG.

b. Utilice los botones HR y MIN para fijar la

hora de encendido deseada, de la misma

manera que fijó la hora (véase la sección

"Cómo fijar la hora").

2. Ponga el selector de función sobre AUTO

ON. La hora del día aparecerá en la

pantalla.

3. Mueva el interruptor hacia arriba (ON). El

indicador luminoso verde se encenderá

para indicar que la hora de encendido

automático está programada. A la hora

prefijada, el indicador luminoso rojo se

encenderá y el ciclo de preparación

empezará. Ambas luces se apagaran

cuando se apague la cafetera.

Nota: Para activar la preparación automática

al día siguiente, simplemente encienda (ON)

la cafetera. El indicador luminoso verde se

encenderá.

Para programar el apagado automático

1. Ponga el selector de función sobre AUTO

OFF. Mantenga oprimido el botón HR

durante 2 segundos. La información en la

pantalla empezará a parpadear.

2. Utilice los botones HR y MIN para fijar el

tiempo después del cual desea que se

apague la cafetera, desde 0 hasta 4 horas

después del ciclo de preparación. (véase

la sección "Cómo fijar la hora").

Eliminación del sarro

Con el tiempo, depósitos de calcio (sarro)

se acumulan sobre las partes metálicas

de la cafetera.

Para lograr un desempeño óptimo, deberá

limpiar la cal regularmente. La frecuencia

de la limpieza dependerá de la dureza del

agua y de la frecuencia de uso de la cafetera.

Si el indicador luminoso arriba del botón

de autolimpieza SELF CLEAN empieza a

parpadear, esto significa que hay que limpiar

la cal.

Limpieza automática

El sarro afecta el desempeño de la

cafetera y el sabor del café. Para limpiar

la cafetera, llene el depósito de agua hasta

la capacidad máxima con 1/3 de vinagre

blanco y 2/3 de agua. Oprima el botón SELF

CLEAN. Cuando el indicador luminoso se

(ON). El indicador luminoso permanecerá

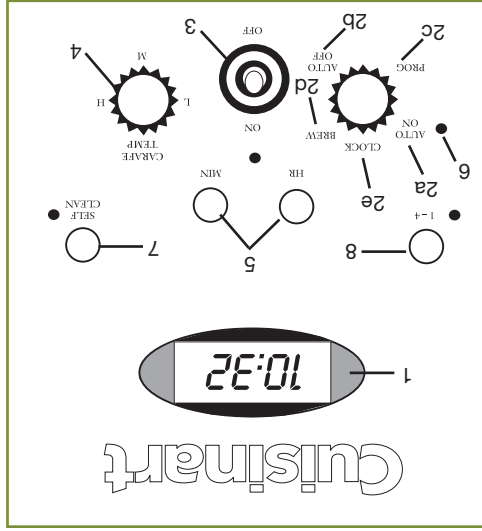
encendido hasta el final del ciclo de limpieza.

Un ciclo debería ser suficiente para eliminar

la cal. Al final del ciclo de limpieza (indicado

por cinco pitidos), la cafetera se apagará.

PANEL DE CONTROL



1. Pantalla

Indica la hora del día y la hora de encendido/apagado automático.

2. Selector de función

Permite fijar la hora y programar la hora de encendido/apagado automático.

a. Encendido automático (AUTO ON)

Permite programar la hora de encendido automático en cualquier momento del día o de la noche. El indicador "PM" indica la programación de noche.

b. Apagado automático (AUTO OFF)

Permite programar la hora de apagado automático, de 0 a 4 horas después del ciclo de preparación.

c. Programación (PROG)

Permite fijar la hora de encendido automático.

d. Preparación (BREW)

Permite empezar la preparación.

e. CLOCK

Permite fijar la hora.

f. Señal sonora (no enseñado)

La cafetera Brew Central® cuenta con una señal sonora que emite 5 pitidos al final de la preparación (el café seguirá bajando durante varios segundos).

3. Interruptor

Interruptor de estilo "retro" que permite encender/apagar la cafetera. Funciona junto con el selector de función.

4. Control de temperatura de la placa calentadora

Permite controlar la temperatura del café después de la infusión. Tiene tres ajustes: alto, medio y bajo.

5. Botones de las horas (HR) y de los minutos (MIN)

Permiten fijar la hora y la hora de encendido/apagado automático.

6. Indicadores luminosos de encendido y apagado automático

7. Botón de autolimpieza

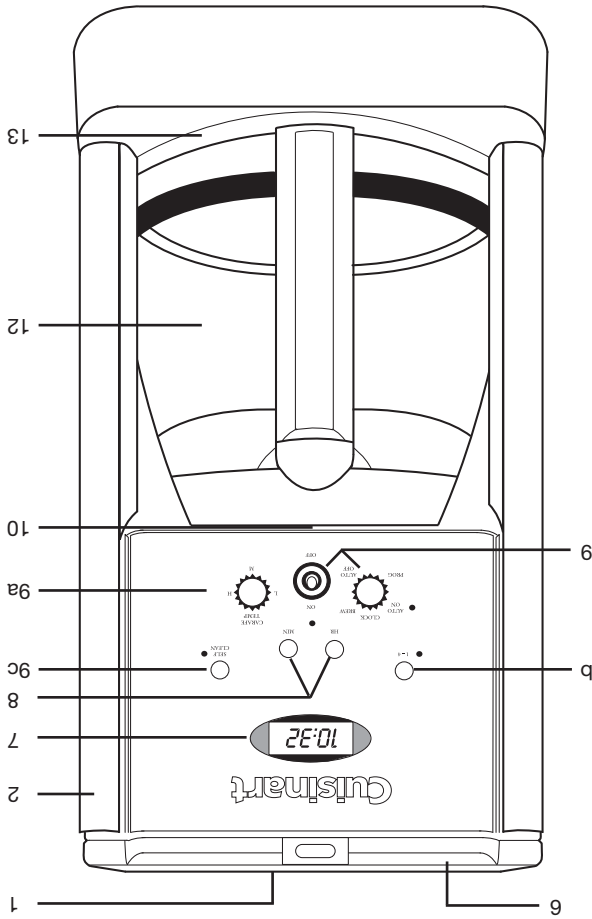
Permite eliminar el sarro de las partes internas de la cafetera.

8. Botón 1-4 (preparación 1-4 tazas)

Hierve el agua dos veces para optimizar el sabor del café cuando se prepara menos de 5 tazas.

PIEZAS Y CARACTERÍSTICAS

1. **Tapa del depósito de agua**
Articulada, para facilitar el llenado.
2. **Depósito de agua**
3. **Rotador de agua (no enseñado)**
Distribuye el agua uniformemente sobre el café, reduciendo la pérdida de temperatura durante la infusión.
4. **Filtro de agua (no enseñado)**
El filtro de carbón elimina el cloro, el mal olor y el mal sabor del agua corriente.
5. **Portafiltros (no enseñado)**
Para filtro de papel no. 4 o filtro permanente.
6. **Compartimiento del portafiltros (no enseñado)**
7. **Reloj digital**
Muestra la hora del día y la hora del encendido/apagado automático.
8. **Botones de hora y minutos**
Permiten fijar la hora del día y la hora del encendido/apagado automático.
9. **Interruptor y selector de función**
Permite empezar la programación de todas las funciones automáticas.
- 9a. **Control de temperatura de la placa calentadora**
Permite controlar la temperatura del café después de la infusión. Hay tres ajustes de temperatura entre los cuales elegir.
- 9b. **Botón 1-4 (preparación 1-4 tazas)**
Permite preparar menos café. Hierve el agua dos veces para optimizar el sabor del café.
- 9c. **Botón de autolimpieza**
El indicador luminoso indica cuando es necesario limpiar la cal. Limpiar la cal regularmente ayudará a extender la vida útil de la cafetera.
10. **Función Brew Pause™**
Detiene el flujo de café al retirar la jarra de la placa, lo que permite servir una taza de café antes del final de la preparación. Nota: le recomendamos que espere hasta el final de la preparación para servir café, ya que el sabor varía durante el ciclo.
11. **Señal de listo (no enseñada)**
Indica el final de la preparación con cinco pitidos.
12. **Jarra**
Jarra con cómoda asa ergonómica, pico anti-goteo y marcas de 2 a 12 tazas.
13. **Placa calentadora**
Revestimiento negro antiañador y prueba de rayas.
14. **Las partes en contacto con el café o el agua no contienen bisfenol A (BPA).**



Medidas de seguridad importantes	1
Instrucciones de desempacado	2
Introducción	3
Sugerencias para la preparación de un buen café	3
Piezas y características	4
Panel de control	5
Programación	6
Operación	7
Limpieza y mantenimiento	8
Garantía	9

INTRODUCCIÓN

Cuisinart presenta una cafetera que combina a la vez un diseño “retro” y características técnicas de punta, y que se volverá la pieza central de su cocina. La cafetera Brew Central® de Cuisinart™ es a la vez clásica y duradera. Su cuerpo de metal cepillado con controles clásicos encierra la más avanzada tecnología. Incluso cuenta con un filtro de agua para maximizar el sabor del café. La cafetera Brew Central® incluye características avanzadas como un reloj digital, encendido automático con 24 horas de antelación, apagado automático, función de autoimpieza, y una señal sonora que indica el final de la preparación, que hacen que preparar el mejor café nunca ha sido tan fácil.

SUGERENCIAS PARA LA PREPARACIÓN DE UN BUEN CAFÉ

Cuatro elementos influyen sobre la preparación del café:

Elemento 1: El agua

El café está constituido por un 98% de agua. Por lo tanto, la calidad del agua es tan importante como la del café. Si el agua tiene mal sabor, el café también tendrá mal sabor.

Por lo tanto, Cuisinart equipó la cafetera Brew Central® con un filtro de agua. Este filtro de carbón elimina el cloro, el calcio, el mal sabor y el mal olor del agua, para preparar café sabroso taza tras taza.

Elemento 2: El café

Aunque la mayor parte del brabaje es agua, el sabor proviene del café. Para preparar café de calidad, deberá usar granos

de café o café molido de buena calidad. Si usted decide moler el café, asegúrese de que los granos estén frescos. Compre granos

enteros, aproximadamente dos veces por semana. Una vez que se rompen los granos, el sabor intenso y rico del café comienza a deteriorarse. Si prefiere comprar más café a la vez, divida los granos en porciones para una o dos semanas inmediatamente después

de comprarlos y congélelos, en envases herméticos. Para maximizar el aroma del café, evite exponer los granos al aire, a la luz o a la humedad. Al sacar los granos del congelador, mantenga el envase cerrado a temperatura ambiente, porque la condensación puede deteriorar los granos. Algunos expertos aconsejan no congelar el café muy tostado porque sus aceites pueden coagularse. Otros no están de acuerdo. Le aconsejamos que experimente y que decida por su propia cuenta.

Elemento 3: El grado de molienda

La molienda es primordial para preservar el sabor del café. Café molido demasado fino producirá un café amargo. Esto también puede trabar el filtro. Café molido demasado grueso dejará pasar el agua demasado rápidamente, lo cual producirá un café acuoso. Le aconsejamos que muelea el café mediano fino.

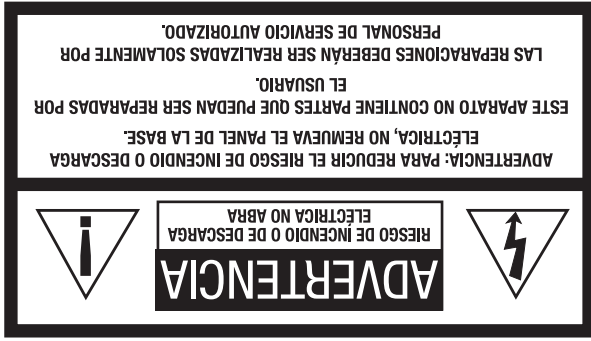
Elemento 4: Las proporciones

Las tazas de la cafetera Cuisinart® son de 5 onzas (150 ml). Añada la cantidad de café molido deseado según la cantidad de tazas deseadas. Recomendamos usar 1 cucharada de café molido por taza, pero usted puede usar más o menos café, a gusto.

NOTA: Esta cafetera de 12 tazas (2.8 L) tiene una capacidad máxima de 15

cucharadas de café molido. No exceda esta cantidad. Esto podría provocar un

derrame, especialmente si el café ha sido molido muy fino.



IMPORTANTES INSTRUCCIONES DE DESEMPACADO

Precaución: Nunca abra la tapa durante la preparación, aunque líquido no esté bajando. Agua o café muy caliente podría salir del pico y causar quemaduras. Si el café no escurriera debidamente durante la preparación, desenchufe el aparato y espere 10 minutos antes de abrir la tapa y examinar el portafiltros.

1. Ponga la caja sobre una superficie espaciosa, llana y segura.
2. Retire el manual de instrucciones y otros folletos de la caja.
3. Voltee la caja para que repose en su lado y Aleje la caja y retire el material de embalaje.
4. Retire, deslizando, la pieza de cartón ubicada entre la tapa de la jarra y el mecanismo Brew Pause™.
5. Agarre la jarra por el asa y retirela la bolsa protectora.
7. Retire la cafetera del material de embalaje remanente.

Le aconsejamos que conserve el material de embalaje. Mantenga las bolsas de plástico fuera del alcance de los niños.

INSTRUCCIONES ESPECIALES RELATIVAS AL USO DE EXTENSIONES

El cable provisto con este aparato es corto, para reducir el peligro de que alguien se enganche o tropiece con un cable más largo. Se podrá usar una extensión eléctrica, siempre que respete las precauciones siguientes.

La clasificación nominal de la extensión debe ser por lo menos igual a la del aparato. Es importante colocar la extensión sobre la encimera o la mesa de tal forma que niños no puedan jalarla o tropezar con ella.

AVISO

El cable de este aparato está dotado de una clavija polarizada (una pata es más ancha que otra). Como medida de seguridad, se podrá enchufar de una sola manera en la toma de corriente polarizada. Si no entrara en la toma de corriente, invértela. Si aún no entrara completamente, comuníquese con un electricista.

IMPORTANTE

No intente modificarla.

Ciertas condiciones pueden producir un atascamiento del agua y/o del café en el portafiltros y provocar un derrame. Para evitar que esto ocurra, no mueva el café demasiado fino, no utilice más de un filtro de papel, o un filtro permanentemente al mismo tiempo que un filtro de papel, o bien un filtro permanentemente sucio, y no sobrellene el filtro.

MEDIDAS DE SEGURIDAD IMPORTANTES

Siempre que use aparatos eléctricos, debe tomar precauciones básicas de seguridad para reducir el riesgo de incendio, electrocución o heridas, entre las cuales las siguientes:

1. LEA TODAS LAS INSTRUCCIONES.

2. No toque las superficies calientes. Utilice el mango y los botones o perillas.

3. Para reducir el riesgo de electrocución, no sumerja el cordón, la clavija o el cuerpo del aparato en agua u otro líquido.

4. Este aparato no debería ser usado por o cerca de niños o personas con alguna discapacidad.

5. Siempre desconecte el aparato cuando no esté en uso y antes de limpiarlo.

Permita que enfrije antes de instalar o remover piezas y antes de limpiarlo.

6. No utilice este aparato si el cordón o la clavija estuviesen dañados, después de que hubiese funcionado mal o que se hubiese caído o si estuviese dañado.

Regrese el aparato a un centro de servicio autorizado para su revisión, reparación o ajuste.

7. El uso de accesorios no recomendados o vendidos por Cuisinart para uso con este modelo puede provocar heridas.

8. No lo utilice en exteriores.

9. No permita que el cordón cuelgue del borde de la encimera o de la mesa, ni que haga contacto con superficies calientes.

10. No coloque el aparato sobre o cerca de un quemador a gas o una hornilla eléctrica caliente, ni en un horno caliente.

11. Siempre llene el depósito de agua antes de conectar el aparato a la toma de corriente. Siempre apague el aparato (OFF) antes de desconectarlo.

12. No utilice el aparato para ningún otro fin que no sea el indicado.

13. Asegúrese de que la tapa de la jarra esté debidamente cerrada antes de servir café.

14. Para evitar las quemaduras, no retire la tapa durante la preparación.

15. La jarra provista con esta cafetera ha sido diseñada para ser usada con esta hornilla caliente.

16. No ponga la jarra caliente sobre una superficie húmeda o fría.

17. No utilice la jarra si el cristal estuviese rajado o si el asa estuviese floja.

18. No limpie la jarra o la placa calentadora con limpiadores abrasivos, lana de acero u otros materiales abrasivos.

19. ADVERTENCIA: PARA REDUCIR EL RIESGO DE INCENDIO O DESARME ELECTROCUCIÓN, NO DESARME EL CUERPO DEL APARATO. NO CONTIENE PIEZAS QUE PUEDAN SER REPARADAS POR EL USUARIO. LAS REPARACIONES DEBEN SER REALIZADAS POR UN TÉCNICO AUTORIZADO.

20. Evite el contacto con las piezas móviles.

21. No haga funcionar el aparato bajo o adentro de un armario. Siempre desconecte el aparato antes de guardarlo en un armario. Dejar el aparato conectado presenta un riesgo de incendio, especialmente si éste toca las paredes o la puerta del armario.

GUARDE ESTAS INSTRUCCIONES PARA USO DOMÉSTICO SOLAMENTE

El símbolo representado por un relámpago con punta de flecha dentro de un triángulo equilátero tiene como fin alertar al usuario de la presencia de voltajes peligrosos no aislados en el interior del aparato, los cuales pueden ser de suficiente magnitud para constituir un riesgo de incendio o electrocución.

El signo de exclamación dentro de un triángulo equilátero tiene como fin alertar al usuario de la presencia de instrucciones importantes de operación y mantenimiento (servicio) en la documentación que acompaña al equipo.



ADVERTENCIA: RIESGO DE INCENDIO O ELECTROCUCIÓN

Cuisinart®



Serie DCC-1200

Cafetera Programable Brew Central®

Para su seguridad y para seguir disfrutando plenamente de este producto, siempre lea las instrucciones cuidadosamente antes de usarlo.

Version no: N DC1200 Series IB-7522A-ESP-B

SIZE: 153MM(W)X229MM(H)

Pages: 24pp

Paper:

Cover:157GSM GLOSS ARTPAPER

Inside:120GSM GLOSS ARTPAPER

Color: Cover:4c+1c(BLACK)

Inside:1c+1c

Coating: varnishing in cover

Conair: By Astor You

Date: 12/07/2012

SUN HING PRINTING CO., LTD.