

Coffee Maker with Reusable Filter
Cafetière avec Filtre Réutilisable
Cafetera con Filtro Reutilizable
B084ZGRDM5

Table of Contents

1. Important Safeguards	3
1.1 Plug and cord instructions	4
2. Intended Use	4
3. Product Description	5
4. Before First Use	5
4.1 Preparing the product	5
5. Operation	6
5.1 Brewing coffee	6
5.2 Brewing tips	7
6. Cleaning and Maintenance	7
6.1 Cleaning	7
6.2 Descaling	8
6.3 Storage	8
6.4 Maintenance	8
7. Troubleshooting	8
8. Specifications	9
9. Feedback and Help	9

Warning label on the appliance:



1. IMPORTANT SAFEGUARDS



Read these instructions carefully and retain them for future use. If this product is passed to a third party, then these instructions must be included.

When using electrical appliances, basic safety precautions should always be followed to reduce the risk of fire, electric shock, and/or injury to persons including the following:



The exclamation point within equilateral triangle, is intended to alert the user to the presence of important operating and maintenance (servicing) instructions in the literature accompanying the appliance.



The lightning flash with arrowed symbol, within equilateral triangle, is intended to alert the user to the presence of insulated "dangerous voltage" within the product's enclosure that may be sufficient magnitude to constitute a risk of fire or electric shock to person.

⚠ WARNING Risk of burn!

- ▶ Steam evaporates from the product when in operation. Do not place hands on or near the product when in operation.
- ▶ To avoid the risk of injury, do not open the brew chamber during the brew process.
- ▶ Read all instructions.
- ▶ Do not touch hot surfaces. Use handles or knobs.
- ▶ To protect against electric shock, do not place cord, plugs, or appliance in water or other liquid.
- ▶ Close supervision is necessary when any appliance is used by or near children.
- ▶ Unplug from outlet when not in use and before cleaning. Allow to cool before putting on or taking off parts, and before cleaning the appliance.
- ▶ Do not operate any appliance with a damaged cord or plug or after the appliance malfunctions, or has been damaged in any manner. Return appliance to an authorized service facility for examination, repair or adjustment.
- ▶ The use of accessory attachments not recommended by the appliance manufacturer may result in fire, electric shock or injury to persons.
- ▶ Do not use outdoors.
- ▶ Do not let cord hang over edge of table or counter, or touch hot surfaces.
- ▶ Do not place on or near a hot gas or electric burner, or in a heated oven.
- ▶ To disconnect, turn any control to the off position, then remove plug from wall outlet.
- ▶ Do not use appliance for other than intended use.
- ▶ Do not immerse in water.
- ▶ Scalding may occur if the lid is removed during the brewing cycles.
- ▶ The container is designed for use with this appliance. It must never be used on a range top.
- ▶ Do not set a hot container on a set or cold surface.
- ▶ Do not use a cracked container or a container having a loose or weakened handle.
- ▶ Do not clean container with cleansers, steel wool pads, or other abrasive material.

- ▶ To reduce the risk of fire or electric shock, do not place any electric or gas heating appliance beneath the drip-type coffee maker.
- ▶ Extreme caution must be used when moving an appliance containing hot food, hot oil, water or other hot liquids.

1.1 Plug and cord instructions

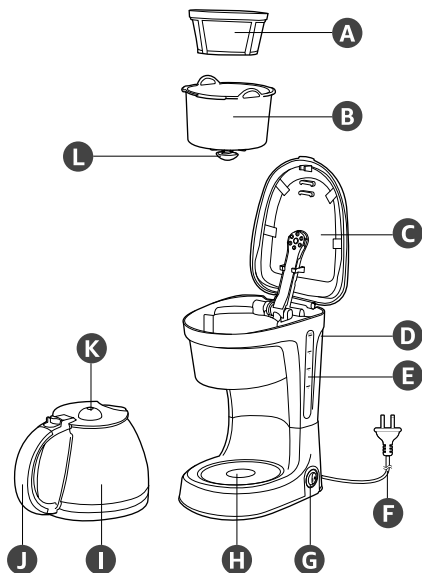
- ▶ This appliance has a polarized plug (one blade is wider than the other). To reduce the risk of electric shock, this plug is intended to fit into a polarized outlet only one way. If the plug does not fit fully in the outlet, reverse the plug. If it still does not fit, contact a qualified electrician. Do not modify the plug in any way.
- ▶ A short power-supply cord is to be provided to reduce the risk resulting from becoming entangled in or tripping over a longer cord.
- ▶ Extension cords are available and may be used if care is exercised in their use.
- ▶ If an extension cord is used,
 - the marked electrical rating of the detachable power-supply cord or extension cord should be at least as great as the electrical rating of the appliance.
 - the longer cord should be arranged so that it will not drape over the counter top or table top where it can be pulled on by children or tripped over.

SAVE THESE INSTRUCTIONS HOUSEHOLD USE ONLY

2. Intended Use

- ▶ This product is intended for brewing coffee.
- ▶ This product is intended for household use only. It is not intended for commercial use.
- ▶ No liability will be accepted for damages resulting from improper use or non-compliance with these instructions.

3. Product Description



- A** Filter
- B** Filter holder
- C** Water tank lid
- D** Water tank
- E** Water level gauge
- F** Power cord with plug
- G** On/off switch (I / O)
- H** Warm plate
- I** Container
- J** Handle
- K** Lid
- L** Anti-leak valve

4. Before First Use

⚠ DANGER Risk of suffocation!

Keep any packaging materials away from children – these materials are a potential source of danger, e.g. suffocation.

NOTICE Make sure the water tank lid (C) is closed before switching on the product.

- ▶ Check the product for transport damages.
- ▶ Remove all the packing materials.
- ▶ Clean the product before first use.
- ▶ Place the product on a dry, level and heat-resistant surface.
- ▶ Before connecting the product to the power supply, check that the power supply voltage and current rating corresponds with the power supply details shown on the product rating label.

4.1 Preparing the product

- ▶ To clean the manufacturing residues, operate the product as described in chapter 5.1: **Brewing coffee**, but without coffee.
- ▶ Discard the water afterwards.

5. Operation

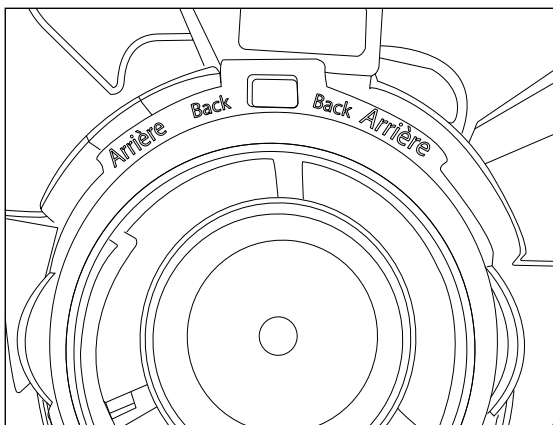
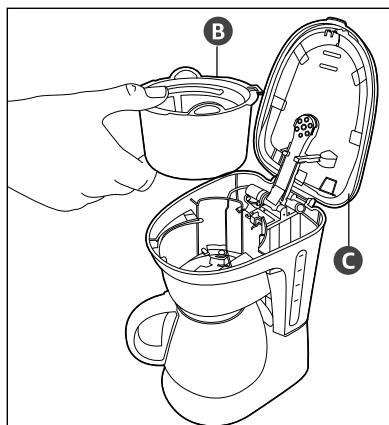
5.1 Brewing coffee

⚠ CAUTION Risk of burn!

Take extra caution when removing the container (I) during the brewing process as hot liquids can splatter and cause serious injuries.

NOTICE

- ▶ You can remove the container (I) during brewing to pour coffee. Place back the container (I) as soon as possible to continue brewing.
- ▶ Paper filters can be used instead of the provided nylon filter (A) providing the water tank lid (C) can be closed properly.



1. Open the water tank lid (C) and fill the water tank (D) with drinking water. Do not exceed the **MAX** level as indicated on the water level gauge (E).
2. Place the filter holder (B) into brewing compartment. The "Back" marking on the filter holder (B) should point towards the hinge of the water tank lid (C).
3. Place the filter (A) into the filter holder (B).
4. Add grounded dry coffee to the filter according to the instructions on the coffee packaging then close the water tank lid (C).
5. Place the container (I) with lid (K) closed onto the warm plate (H). Align the center of the container (I) to the bottom of the filter holder (B) and anti-leak valve (L).
6. Connect the plug (F) to a suitable outlet.
7. Set the on/off switch (G) to **I** position to start the brewing process. The on/off switch (G) lights up red.
8. Wait until all the water has run through. Set the on/off switch (G) to **0** position to switch off the product. The on/off switch (G) light goes off.
9. After the brewing process, the warm plate (H) automatically turns on to keep the coffee warm. If you do not need this function, switch off the product and disconnect from the outlet.
10. Wait until no liquid remains in the filter (A), then remove the container (I) from the warming plate (H) to serve coffee.

NOTICE

- ▶ The filter holder (B) is equipped with an anti-leak valve (K) to prevent the coffee from dripping if the container (I) is temporarily removed from the warming plate (H).
- ▶ Let the product cool down for at least 3 minutes before starting another brewing cycle.

5.2 Brewing tips

NOTICE

A small proportion of water is absorbed by the dry coffee. The amount of coffee brewed will always be slightly less than water which was added at the beginning.

- ▶ Always use fresh cold drinking water when filling up the water tank (D).
- ▶ For optimal tasting coffee, buy whole coffee beans and grind finely before brewing each time.
- ▶ Keep the product clean by following steps from chapter **6.1: Cleaning** and **6.2: Descaling**.
- ▶ Do not reuse coffee grounds.
- ▶ Do not reheat brewed coffee.
- ▶ Store unused coffee beans in a cool, dry place. After opening, reseal the coffee tightly to maintain freshness.

6. Cleaning and Maintenance

⚠ WARNING Risk of electric shock!

- ▶ To prevent electric shock, unplug the product before cleaning.
- ▶ During cleaning do not immerse the electrical parts of the product in water or other liquids. Never hold the product under running water.

⚠ CAUTION Risk of burns!

The product is hot during and after operation. Allow the product to cool down before cleaning and maintenance.

6.1 Cleaning

NOTICE

- ▶ Never use corrosive detergent, wire brushes, abrasive scourers, metal or sharp utensils to clean the product.
- ▶ For optimal performance, it is recommended to clean the product once a week or more depending on the frequency of use.
- ▶ Wipe the exterior of the product with a soft, slightly moist cloth after each use.
- ▶ Clean the filter (A), filter holder (B) and container (I) with hot soapy water after each use. These parts are dishwasher safe.
- ▶ Wipe off the water droplets from the inside of the water tank lid (C) after each use to prevent water from dripping into the base of the product.

- ▶ Wipe the warm plate (H) with a slightly moist cloth. Never use abrasive cleaner to clean it.
- ▶ Dry the product after cleaning.

6.2 Descaling

NOTICE Descale the product regularly. The intervals depend mainly on your household's water hardness and the frequency of use. Only use commercially available descaling agents and follow the manufacturer's instructions.

1. Fill the water tank (D) with water mixed with 5-15% vinegar solution or household descaler.
2. Operate the product as described in chapter **5.1: Brewing coffee**, but without coffee.
3. As soon as the brewing process is finished, dispose of the water with descaling agent. Do not dispose of in enameled sinks. Do not use the same solution for a second time. If the results are not satisfactory repeat the process.
4. Residues of the descaling agent can affect the coffee taste. Let the coffee maker complete 2 or 3 brewing cycles with clear water to remove all residues.
5. Clean the product afterwards.

6.3 Storage

- ▶ Store the product in its original packaging in a dry area. Keep away from children and pets.
- ▶ Clean and dry all parts before storage.

6.4 Maintenance

Any other servicing than mentioned in this manual should be performed by an authorized service facility.

7. Troubleshooting

Problem	Solution
The product does not switch on.	▶ Check if the power plug (F) is connected to the outlet. Check if the outlet works.
The brewing process takes longer than usual.	▶ Mineral deposits can build up after a period of use. Clean the product. Refer to chapter 6.2: Descaling .
Leakage occurs during brewing.	<ul style="list-style-type: none"> ▶ Check if the filter holder (B) and filter (A) has been installed correctly. Check if the water tank lid (C) can be closed securely. ▶ Check if the water level does not exceed the MAX marking on the water level gauge (E). ▶ Check if the container (I) has been placed correctly onto the warm plate (H). ▶ Check if filter (A) has not been overfilled with coffee.

Problem	Solution
The product switches on but does not start brewing.	<ul style="list-style-type: none"> ▶ The container (I) may not be properly positioned under the anti-leak valve (L). Make sure it is center and aligned with the anti-leak valve (L). ▶ Coffee which has been too finely grounded can cause a blockage. Use only coffee that is ground for automatic drip coffee makers. ▶ When using a paper filter, make sure it is not folded and causing a blockage. ▶ Check if the water tank (D) is filled with water beyond the 2 marking on the water level gauge (E). ▶ Clean your product. Mineral deposits maybe clogging the system. Refer to chapter 6.2: Descaling.
Coffee taste abnormal.	<ul style="list-style-type: none"> ▶ Use fresh coffee or coffee beans each time you brew coffee. ▶ Use fresh water each time you brew coffee. ▶ Clean the product. Refer to chapter 6.1: Cleaning and 6.2: Descaling.

8. Specifications

Model number	CM4008C-UL
Rated voltage	120 V~, 60 Hz
Power consumption	600 W
Capacity	5 cups (0.75 L)

9. Feedback and Help


We would love to hear your feedback. To ensure we are providing the best customer experience possible, please consider writing a customer review.

Scan QR Code below with your phone camera or QR reader:



If you need help with your Amazon Basics product, please use the website or number below.

 amazon.com/gp/help/customer/contact-us

 +1 877-485-0385