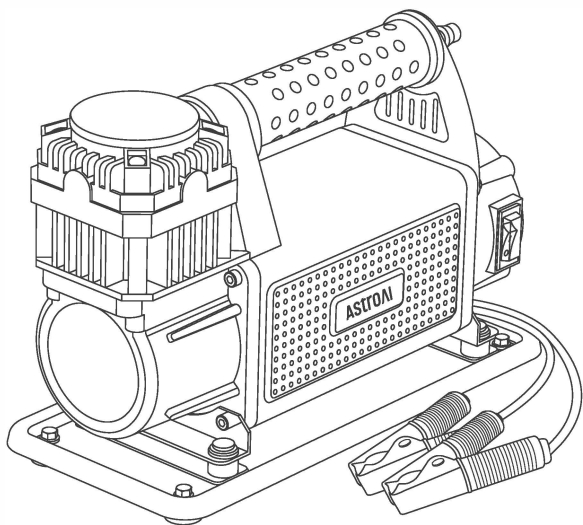


# ASTRON



**YD-127**

**HEAVY-DUTY PORTABLE  
AIR COMPRESSOR**

**USER MANUAL**

EN

ES

## INTRODUCTION

Thank you for purchasing the AstroAI Heavy-Duty Portable Air Compressor.

The product features an automatic overheating protection system. Once the product reaches an unsafe temperature, it will automatically shut off to protect its circuitry. It also has 4 anti-slip rubber pads to make the product more stable.

Thank you again for choosing AstroAI, if you have any questions or concerns regarding your product, please contact us at

**[support@astroai.com](mailto:support@astroai.com)**



Fully read and understand this manual before using this air compressor.

## WARNING

EN

- Please pay attention to electrical safety when using the product.
- Please do not use the product for unintended purposes.
- Keep the air compressor away from heat sources, such as a car's exhaust pipe. Do not use the air compressor around flammable liquids or gases. Keep the air compressor away from fire, corrosive liquids and strong magnetic fields.
- Check the exterior of the air compressor before use to ensure it is intact. Do not use it if any parts are damaged.
- Do not disassemble or repair the compressor. Any repairs should be performed by professional technicians.
- Risk of electric shock, do not use the air compressor if it is damaged or if wires are exposed.
- Do not overinflate tires. High-pressure air can cause injury.
- This product is widely compatible with vehicles, cars, bicycles, motorcycles, SUVs and more. It is also appropriate for RVs, ATVs, ORVs and pickup trucks.
- The product provides fast inflation in bicycle's tires, but without proper monitoring this rapid inflation could cause blown tires. Please promptly stop the inflation when the pressure reaches the manufacturer-recommended value.
- The product uses accessories rated at 150 PSI. Abide by the inflation instruction provided by the tire manufacturer, which can be found on the tire sidewall. Please contact the manufacturer if you are confused.

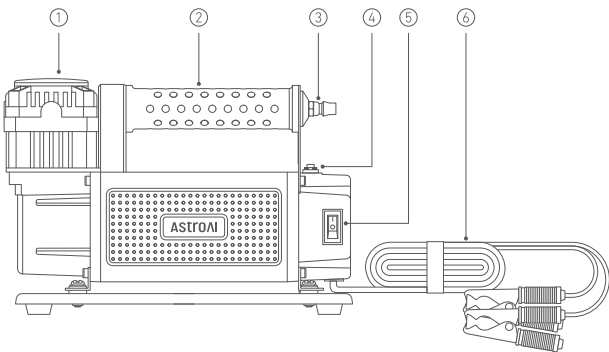
- Use the product in a dry environment. Do not store the air compressor in high-temperature or humid environments.
- Disconnect the air compressor from all power sources when not in use.
- The exposed components may get hot during operation, please wear protective gloves to handle the product.
- Do not move the air compressor by pulling the air hose or power cord.
- PSI, Bar, kPa and  $\text{kg/cm}^2$  are pressure units, not the pressure levels.
- If pressure is below 40 PSI, the compressor's maximum working time is 45 minutes. Allow the product to rest for at least 20 minutes after 45 minutes of continuous use.
- During continuous use, the air compressor may get hot. Let it cool down before storage.
- Connect the product to a (DC 12 V) 45 A vehicle battery.
- Do not use chemical substances to clean the air compressor. Only use mild soap and a cloth dipped in hot water to clean the plastic parts.
- Do not let the product work alone without any supervision.
- If accessories are missing or damaged when you receive the package, please contact us.

## PACKAGE INCLUDES

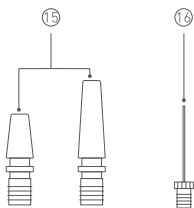
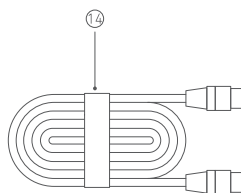
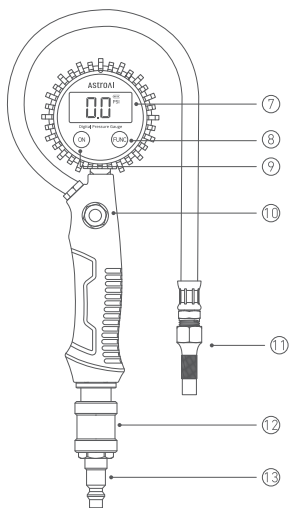
EN

AstroAI Air Compressor	× 1
Rubber Air Hose	× 1
Airflow Controller	× 1
Air Nozzle Cones	× 2
Needle Valve Adapter	× 1
Storage Bag	× 1
User Manual	× 1

## DIAGRAM



- |                            |                |
|----------------------------|----------------|
| ① Metal Heat Sink          | ④ Reset Button |
| ② Handle                   | ⑤ Power Button |
| ③ 1/4" NPT Quick Connector | ⑥ Power Cord   |



⑦ LCD Screen

⑧ LCD Backlight Button

⑨ LCD Button

⑩ Deflate Valve

⑪ Quick Connector

⑫ Airflow Valve

⑬ 1/4" NPT Quick Connector

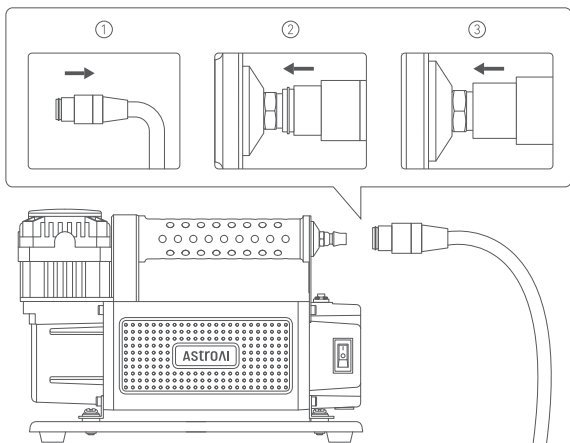
⑭ Rubber Air Hose

⑮ 2×Air Nozzle Cones

⑯ Needle Valve Adapter

## PREPARATION

- When operating the air compressor, please ensure it is set up in a safe location.
- Place the air compressor on a dry, even surface.
- Unpack the package to check if there is any damage. Untie the power cord at full length.
- How to connect the ¼" NPT quick connector to the air hose:
  - ① Pull down the snap ring backwards.
  - ② Connect the ¼" NPT quick connector with the snap ring and secure them together.
  - ③ Release the snap ring to secure the connection.

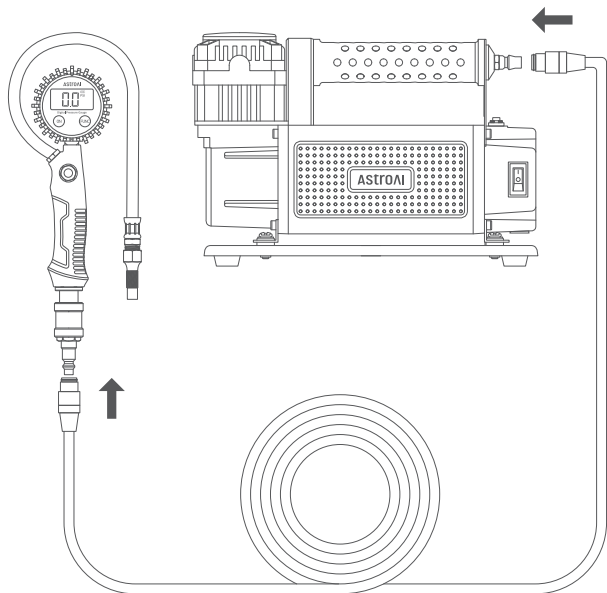


# INSTRUCTION

EN

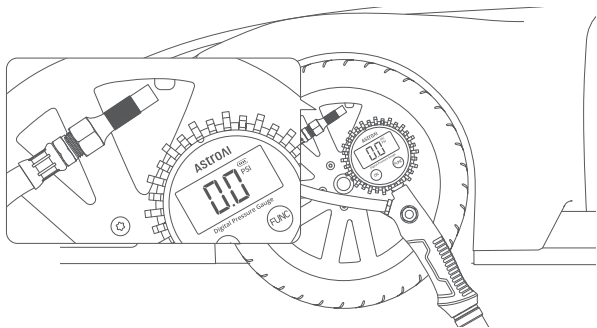
Note: Ensure the airflow controller has sufficient power before using the air compressor.

1. Securely connect the air hose to the  $\frac{1}{4}$ " NPT quick connector of the air compressor, connect the other end of the air hose to the  $\frac{1}{4}$ " NPT quick connector of the airflow controller.

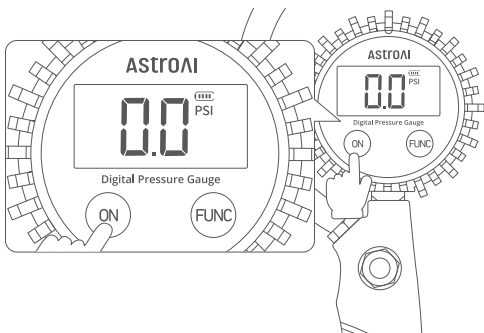




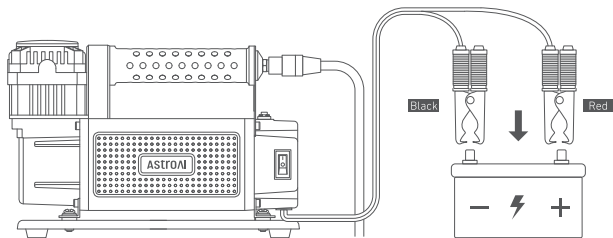
2. Remove the valve stem cap from the tire stem, then connect the airflow controller's quick connector to the valve stem.



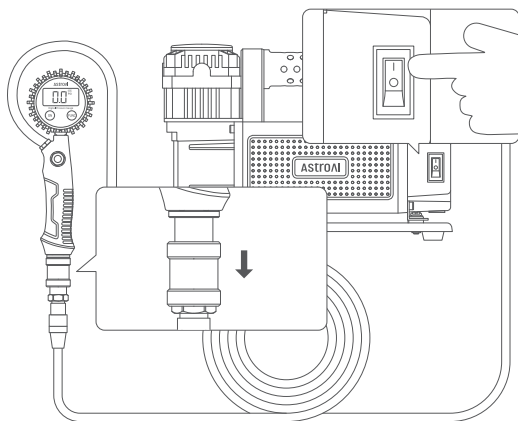
3. Press the LCD Button to turn on the screen. Press it again to choose the desired unit. 4 options: PSI, Bar, kPa, kg/cm<sup>2</sup>.  
(Note: The screen will auto shutoff after 1 minute of no operation.)



4. Start the engine, open the hood, then connect the red clamp to the positive terminal of the vehicle's 12 V battery, connect the black clamp to the negative terminal.

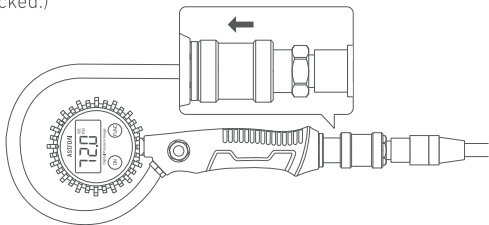


5. Pull the airflow valve downwards and switch the Power Button of the air compressor to the "I" side to start the air compressor.



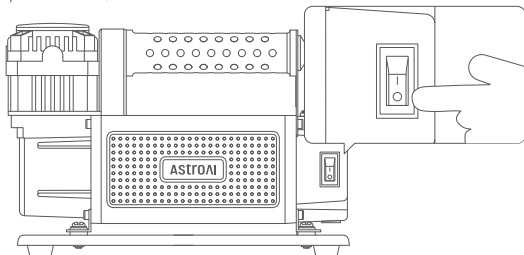
6. Push the airflow valve upwards to stop the air inflow into the pressure gauge. Doing this reduces airflow pressure errors and helps accurately measure the interior pressure value. After getting the pressure value, pull the airflow valve downwards to continue inflating (if needed).

(Note: The air compressor continues inflating even if the airflow is blocked.)



7. When the pressure reaches the manufacturer-recommended level, press the Power Button to the "0" side and remove the air hose from the tire stem.

(Note: Excessive inflation leads to high pressure inside the tires. Press the Deflate Valve to deflate the tire, and release the button to stop deflation.)



## TROUBLESHOOTING

### Air compressor will not inflate

- Ensure the air hose's ¼" NPT quick connector is securely connected with the air compressor.
- Ensure the airflow controller's ¼" NPT quick connector is securely connected to the air compressor.
- Ensure the battery clamps are correctly connected to the battery.
- The air compressor triggers the overheating protection system, please cool it down for 20 minutes.
- The high current may activate the current protection system; the maximum current of the product is 45 A.

### Air compressor is working abnormally

- The connection between the air nozzle and the tire valve is not secure.
- Insufficient battery level of the airflow controller, please promptly replace the battery.
- The Reset Button has not been pressed correctly.

### Slow inflation

- The connection between the air nozzle and the tire valve is not secure.
- Excessive use will slow the compressor's inflation rate. Unplug the compressor and let it cool for at least 20 minutes.
- The airflow controller's battery level is insufficient, replace the old batteries.

## Air leakage

- The connection between the air nozzle and the tire valve is not secure.
- Ensure the air compressor's ¼" NPT quick connector is properly connected to the air hose.
- Ensure the airflow controller's ¼" NPT quick connector is properly connected to the air hose.
- The airflow controller's Deflate Valve is unlocked.

## SPECIFICATIONS

Model	YD-127
Working Voltage	DC 12 V
Power Rating	540 W
Inflation Speed	160 L/Min
Maximum Working Pressure	150 PSI
Display Units	PSI, Bar, kPa, kg/cm <sup>2</sup>
Continuous Operating Time	45 Mins
Air Hose Length	26.24 ft (8 m)
Power Cord Length	6.56 ft (2 m)
Dimensions	13.14 × 8.93 × 5.90 in/ 33.4 × 22.7 × 15 cm

## RECYCLING

You may dispose of the product when its service life has ended, please recycle the recyclable parts according to local guidelines.

## WARRANTY PERIOD

### **2-Year Limited Warranty from AstroAI.**

Each AstroAI Portable Air Compressor will be free from defects in material and workmanship. This warranty does not cover damage from neglect, misuse, contamination, alteration, accident, or abnormal conditions of operation or handling.

This warranty covers the original purchaser only and is not transferable. AstroAI always wants to provide our customers with excellent products and customer service.

Questions or concerns? We're happy to help! Please contact us via **[support@astroai.com](mailto:support@astroai.com)**

Web: [www.astroai.com](http://www.astroai.com)

E-Mail: [support@astroai.com](mailto:support@astroai.com)